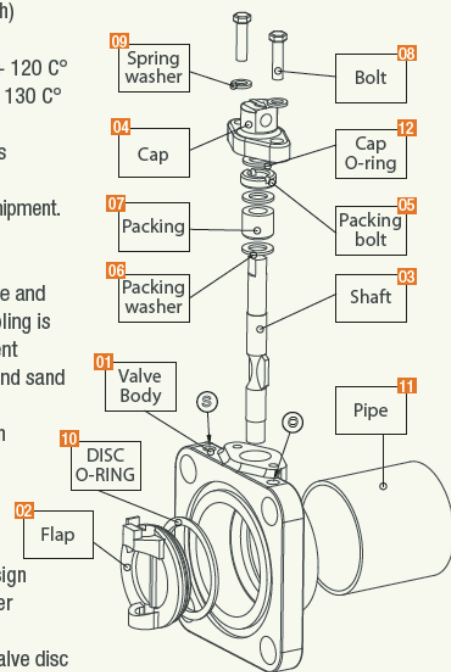


RADIATOR VALVE FEATURES



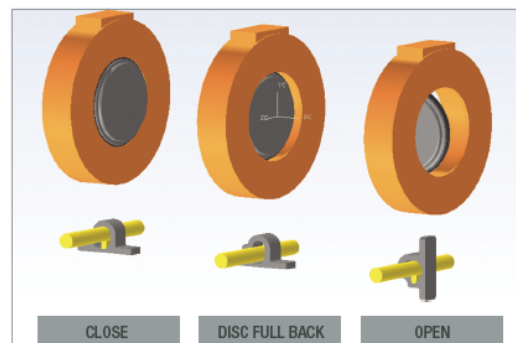
- Size : DN80, DN100(3inch , 4inch)
- Type : Wafer, Flanged, Weld-on
- Temperature : - H-NBR : -50°~+ 120 C°
- VITON : -40°~+ 130 C°
- Working Pressure : 3kgf/cm²
- Application : Power transformers
- Fluid : Oil
- Leak test : 100% tested before shipment.
- Options
 - Assembled or disassembled.
 - 3" & 4" are able to supply valve and parts separately. Valve assembling is quick and easy. This can prevent damage from painting, weld, and sand blasting.
 - Pipe length : 100mm~ 400mm
 - Pipe Schedule : 20, 40, 80
 - Body Material : CF8,CF8M (PIPE 304L, 316L)
- Pad lock hole.
- Leak tight design : Soft seal design guarantee leak tight during power transformer's life
- Patent No : 0423734 Butterfly valve disc
- Painting : ANSI 70 Gray



- Size : DN150, DN200, DN250, DN300(6, 8, 10, 12 inch)
- Type : Wafer, Flanged
- Seals option : H NBR - 50°~+ 120 C°
VITON - 40°~+ 130 C°
- Application : Power transformers
- Fluid : Oil
- Leak test : 100% tested before shipment.
- Leak tight design : Soft seal design guarantee leak tight during power transformer's life
- Patent No : 0453623. Cam action butterfly valve
- Painting : ANSI 70 Gray

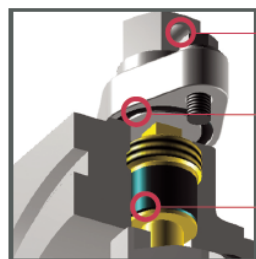
PATENTED CAM ACTION VALVE – 6" 8" 10" 12"

When opening BTX's patented cam action valve, the operating disc moves back away from the seat and then rotates to a full open position. When the valve is closed, the disc rotated to the closed position and then cams (moves) forward for a tight seal. This unique action reduces the wear on the sealing surface when opening and closing giving you longer seal life.



No	Part Name	Material	No	Part Name	Material
01	BODY	SS400(Carbon Steel)	07	PACKING	VITON OR HNBR
02	FLAP	ALDC8~12(Aluminium Die Casting)	08	HEX BOLT	STS304
03	SHAFT	SS400(Carbon Steel)	09	SPRING WASHER	STS304
04	O-S CAP	ALDC8~12(Aluminium Die Casting)	10	O-RING	VITON OR HNBR
05	PACKING BOLT	C3604(Brass)	11	PIPE	SGP(Carbon Steel)
06	WASHER	C3604(Brass)	12	O-RING	VITON OR HNBR

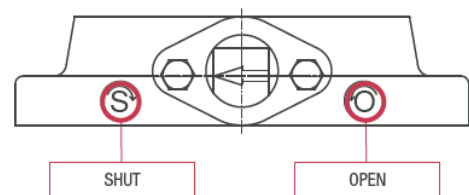
Sealing top cap



- Pad lock hole
- O-ring under cap prevents any potential leak from valve, water from getting into valve.
- Rubber packing under packing nut prevent leak through shaft.

Open / Close indicator

O(OPEN) / S(SHUT) is marked on valve body and the arrow indicates Open or Close status.



SPECIALTY TRANSFORMER COMPONENTS LLC.

formally known as: Zenith Transformer Components.



525 McClurg Rd, Youngstown OH 44512

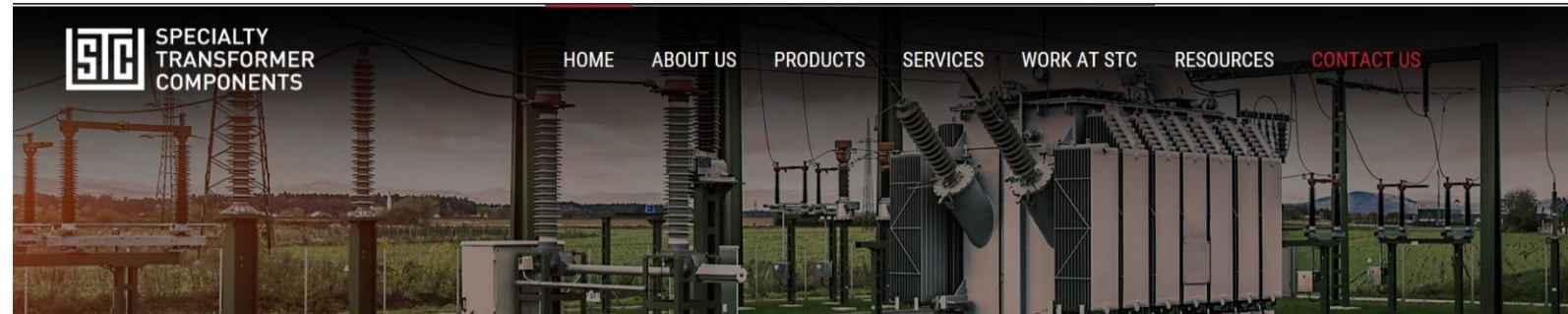
Email: sales@transformercomponents.com

website: www.transformercomponents.com

Phone 1 330 427 3000 Fax (330) 427 0800



SPECIALTY TRANSFORMER COMPONENTS LLC



Power Transformer Components

Radiator valves Tank-Fabrications For Power Transformers



BTX MISSION
Customize valve solutions for customer environment

BTX MISSION
"The best valve solution" means with analyzing customers application and usage environment, suggest suitable solution which will improve customer's productivity, performance efficient, quality assurance and cost saving.

Orion Registrar, Inc., USA
Certificate of Registration
This is to certify the Quality Management System of
BTX Co., Ltd.
#41-37, Poryong-dong, Changwon-si,
Gyeongsangnam-do, Korea
This has been assessed by Orion Registrar and found to be in compliance with the following Quality Standard
ISO 9001:2008
The Quality Management System is applicable in
Design, Manufacturing and Services of Valve Item
The Registration period is from July 03, 2009 to July 03, 2012
This registration is subject to the recurring monitoring by Orion in the required standard and applicable exceptions, which will be monitored by Orion
Certificate Identification Number: XCR-0201-001-001
COC/343301-001-2008

ANAB IAF

ISO 9001

Orion Registrar, Inc., USA
Certificate of Registration
This is to certify the Environmental Management System of
BTX CO., LTD.
#41-37, Poryong-dong, Changwon-si,
Gyeongsangnam-do, Korea
This has been assessed by Orion Registrar and found to be in compliance with the following Environmental Management Standard
ISO 14001:2004
The Environmental Management System is applicable in
Design, Manufacturing and Services of Valve Item
The Registration period is from July 03, 2009 to July 03, 2012
This registration is subject to the recurring monitoring by Orion in the required standard and applicable exceptions, which will be monitored by Orion
Certificate Identification Number: XCR-0201-001-001
COC/343301-001-2008

ANAB IAF

ISO 14001



SPECIALTY TRANSFORMER COMPONENTS

Call us at: 330.427.3000

- | | | |
|----------------------------------|------------------------------|--|
| Specialty Line of Switches | Industrial & Safety Products | Insulation for Oil Filled Transformers |
| Types of Switches – Tap Changers | Safety Air Coupling | Pre-Assembled Insulation Kits |
| Transformer Components | Pressure Relief Valves | Duct Strip, Paper & Pressboard Parts |
| Transformer Radiators | Air Tools, Abrasives & Tapes | Raw Materials – Pressboard, Paper, Wood |
| Transformer Valves | | Insulations for Dry Transformers, Motors, Generators |
| Transformer Cooling Fans | | Slit or Cuffed Paper |
| Breathers, Relays Gages, etc. | | Flexible Laminates & Electrical Tapes |
| | | Nomex ® High Temp Paper & Pressboard |



Power Transformer Components

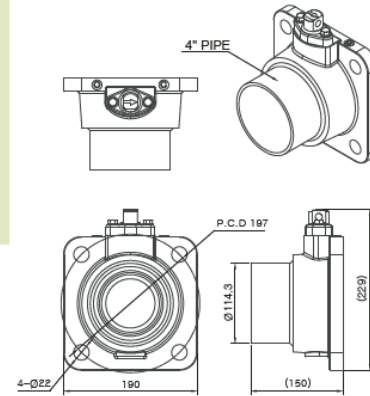
RADIATOR VALVE

Weld On

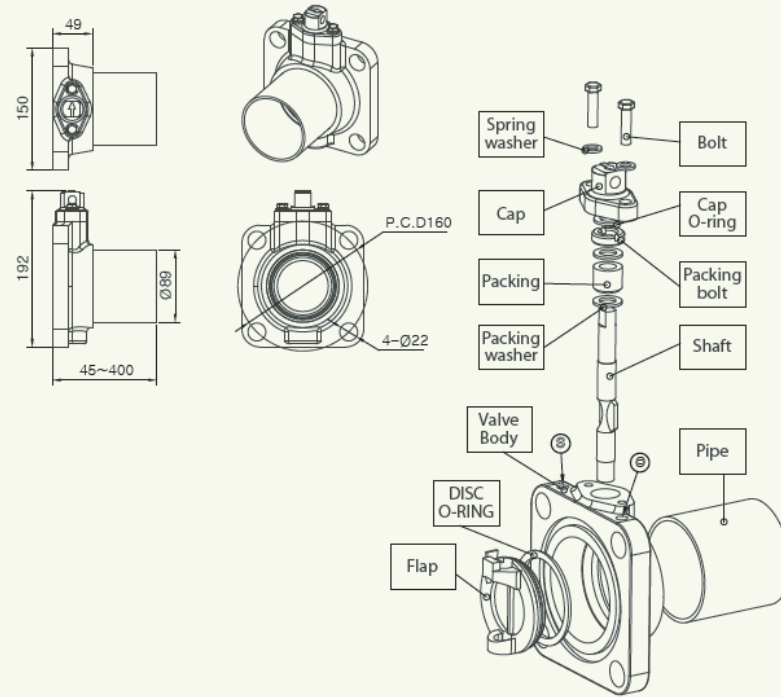
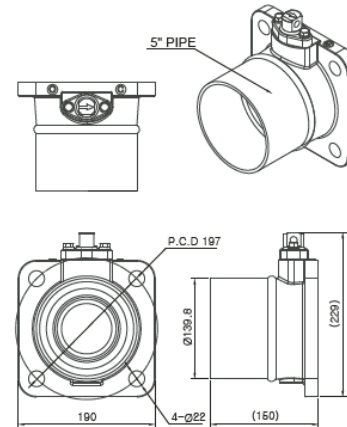


- Part No : BK-BF80-Z00
- SIZE : DN80(3 inch)
- Assembled or Disassembled
- 3" & 4" are able to supply valve and parts separately. Valve assembling is quick and easy. This can prevent damage from painting, weld, and sand blasting.
- Pipe length : 100mm~ 400mm
- Pipe Schedule : 20, 40, 80(header pipe)
- Painted : ANSI 70 Gray

- Part No : BK-BF4-A00(J06)(H01)
- Size : DN100(4 inch)
- Overall length : 150mm
- Header Pipe size : 4" pipe
- Assembled or Disassembled
- Painted : ANSI 70 Gray
- Option / Valve body Material : CF8,CF8M(PIPE 304L, 316L)



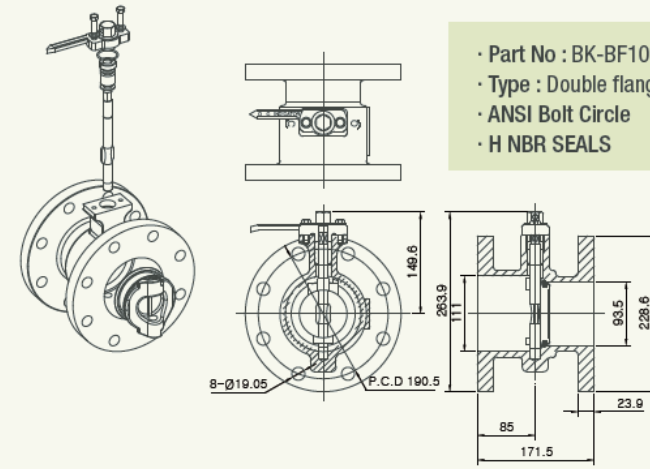
- Part No : BK-BF4-A00(J06)(H02)
- Size : DN100(4 inch)
- Overall length : 150mm
- Header Pipe size : 5" pipe
- Assembled or Disassembled
- Painted : ANSI 70 Gray
- Option / Valve body Material : CF8,CF8M(PIPE 304L, 316L)



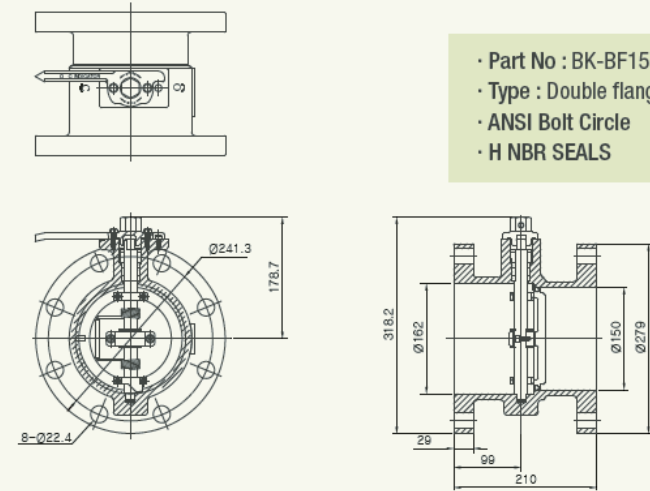
Power Transformer Components

RADIATOR VALVE

Double Flange

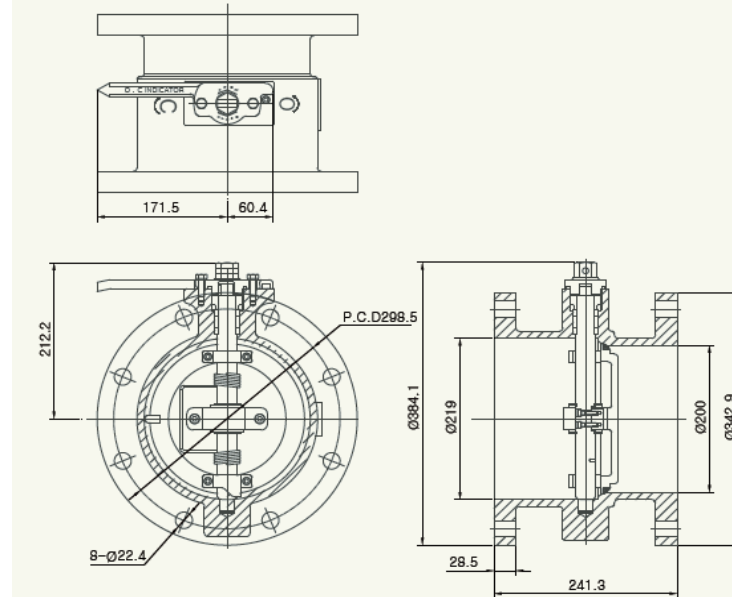


- Part No : BK-BF100-Y00(4 inch)
- Type : Double flange type
- ANSI Bolt Circle
- H NBR SEALS



- Part No : BK-BF150-Y00(6 inch)
- Type : Double flange type
- ANSI Bolt Circle
- H NBR SEALS

- Part No : BK-BF200-Y00(8 inch)
- Type : Double flange type
- ANSI Bolt Circle
- H NBR SEALS

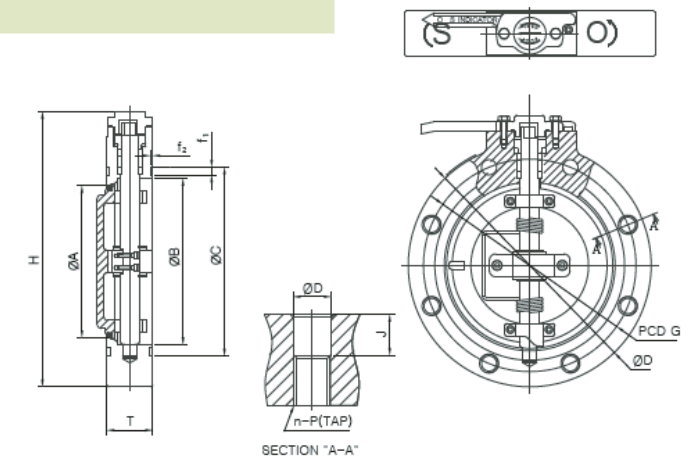
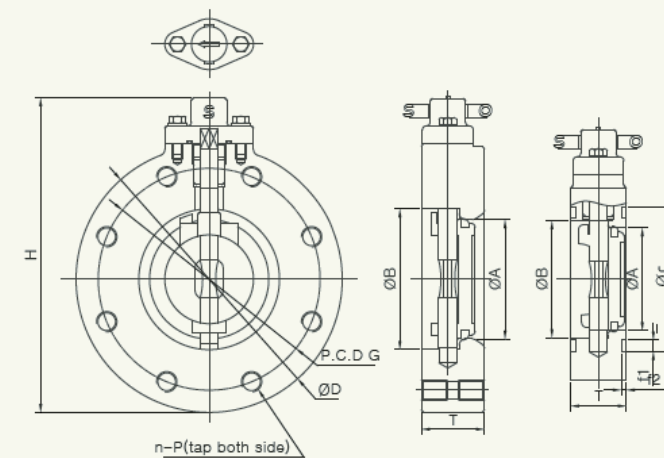


Round Wafer valve

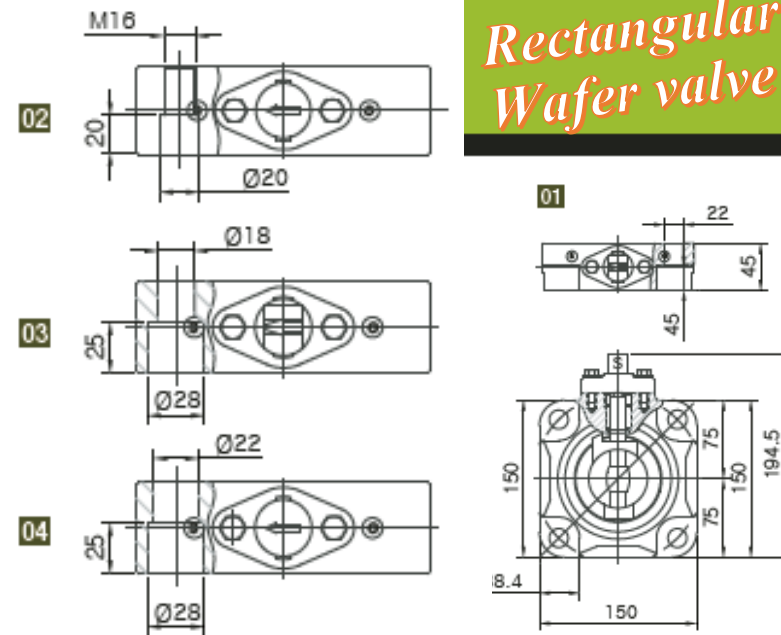


- Part No : BK-BF80-B00(DN80, 3 inch)
- BK-BF100-B00(DN100, 4 inch)
- Type : Round Wafer type

- Type : Wafer type
- Size : 6" 8" 10" 12"
- JIS Bolt circle
- Viton seals



Rectangular Wafer valve



- 01 BK-BF80-W00[H01]
- 02 BK-BF80-C00
- 03 BK-BF80-C00(H02)
- 04 BK-BF80-C00(H03)